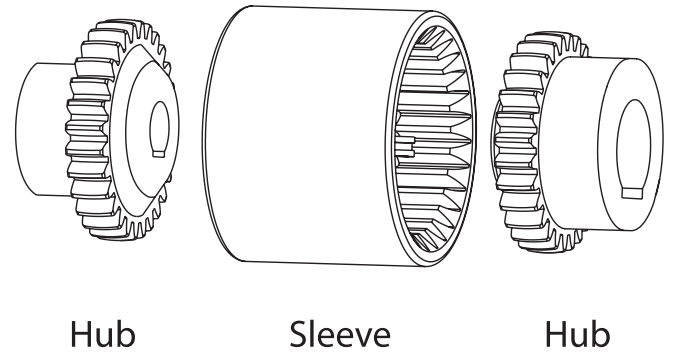
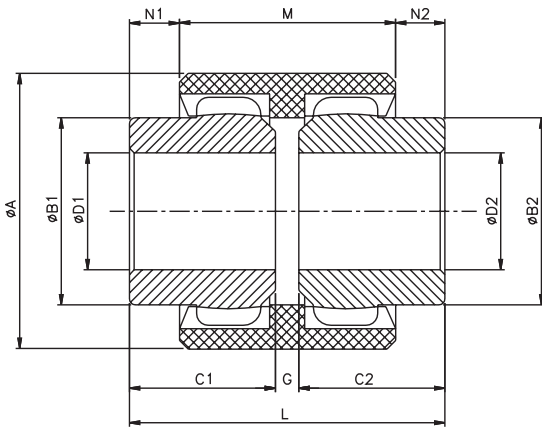




Naylone Gear Couplings



Hub

Sleeve

Hub

Coupling size	Rating at 100 rpm		Rated Torque (N-m)	Max. Speed rpm	Max. Bore (OD1,OD2) mm	ØA	ØB1 ØB2	C1 C2	G	M	N1 N2	Wt. in Kg.	M.I. (WR*) in Kgm ²	Maximum Misalignment		
	KW	HP												Axial ± mm	Radial ± mm	Angular ± mm
M-19	0.17	0.22	16	11800	20	48	32	25	4	37	8.5	0.23	0.47	1	0.3	± 1°
M-24	0.21	0.28	20	10600	24	52	36	26	4	41	7.5	0.32	0.93	1	0.4	± 1°
M-28	0.47	0.63	45	8500	28	66	44	40	4	46	19	0.74	3.09	1	0.4	± 1°
M-38	0.84	1.12	80	6700	38	83	58	40	4	48	18	1.23	8.68	1	0.4	± 1°
M-42	1.00	1.34	100	6000	42	92	65	42	4	50	19	1.5	14.28	1	0.4	± 1°
M-48	1.50	2.10	140	5600	48	95	68	50	4	50	27	1.81	18.34	1	0.4	± 1°
M-65	4.00	5.36	380	4000	65	132	96	55	4	68	23	4.35	84.80	1	0.4	± 1°

